

ZULJANA'S TOUCHSCREEN MONITOR ZL104TMBCAP

TOUCHSCREEN MONITORS - CUSTOM TOUCH SCREEN

Zuljana is among the most relied-on Touchscreen Monitors manufacturers with years of experience offering significant OEMs throughout all markets. Touchscreen monitors solutions are known for their performance in a few of the toughest applications.

Our sensors are customized to your one-of-a-kind application requirements based mainly on projected capacitive (PCAP) touchscreen monitors technology. BaoBao Industrial additionally supplies integration with custom touchscreen monitors LCD/OLED displays, cover lenses, and also peripherals.



Industrial Monitors Features

- ▶ Driver support for all the current operating syst
- ▶ A+ quality LED backlight panels
- ▶ 10-Finger-Multi Touch Capacitive Touch Panel
- ▶ Patented IP65 front with silicon seal
- ▶ The most common video connectors available
- ▶ High resolution LCD Panels
- ▶ Reinforced front glass
- ▶ 1 year guarantee



Ordering information

10.4"LCD,500 nits(Optional),3000:1,1024×768 pixels,21.30(H)×16.30(V),LED Backlight

IP Rating

IP65 Front / IP40 Back

LCD Panel

Screen Diagonal (Inch/cm)	10.4/26.42
Active Display Area(cm)	21.30(H)×16.30(V)
Aspect Ratio	4:3
Physical Resolution	1024×768
Maximum showable resolution	1920×1080
Colours Displayed	16.7M
Brightness (cd/m2)	350
Contrast	3000:1
Typical Reaction Time Tr/ Tf (ms)	20/10
Visual Angle Horizontal / vertical (°)	170/170
Backlight/Backlight Lifetime (hours)	LED/20,000

Touch Panel

Touch Technology	Projected Capacitive 10-point Multitouch
Touch Panel Drivers	Windows; Linux; Mac; Android
Touch Life (Contacts)	Unlimited
Surface Hardness	7H
Surface Treatment	Anti-glare (optional)
Glass Strengthening	Tempered glass

Product Name

10.4"Capacitive Touch Monitor

Model Number

ZL104TMBCAP

Operation/Mechanical

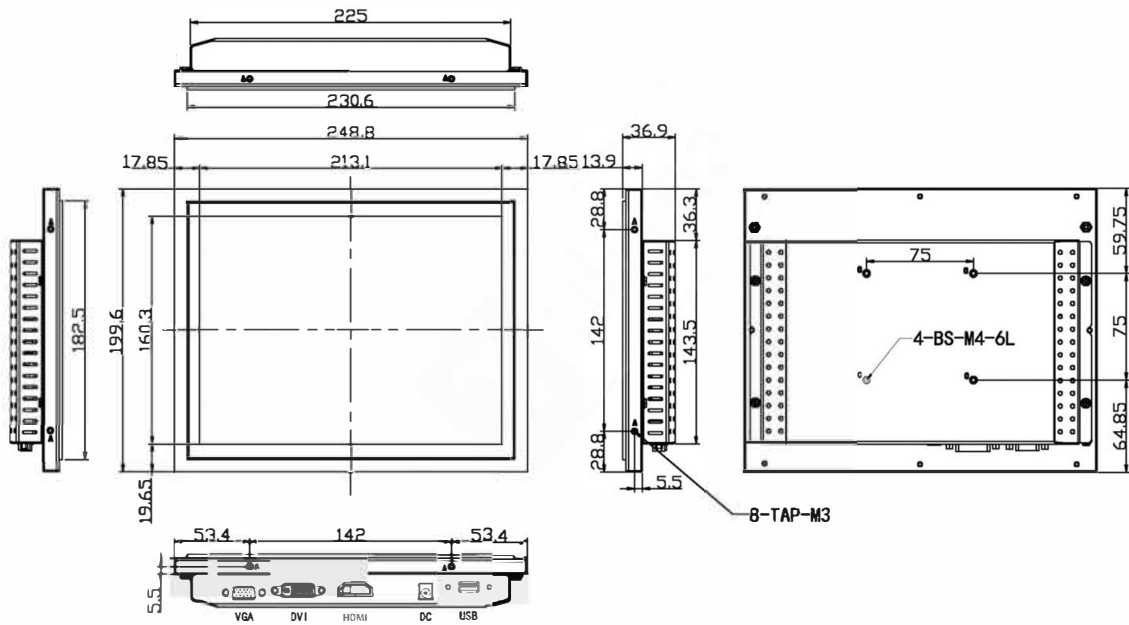
Operating Temperature (°C)	-10~+60
Humidity Range (RH)	10%-90%
Net Weight(Kg)	1.50
Gross Weight(Kg)	1.90(Incl.cartonage)
Housing Material	Aluminum front/back case
Housing(mm)L x W x H	27.88 × 19.96 × 3.69
Mounting	VESA 75

External Connectors

Video	1×HDMI 1.3 (Incl.HDCP)
	1 × DVI-D
	1 × VGA
Audio	1×PC-Audio
	1×USB
Touch Connector	1×12V DC-IN
	Connectors

Power

Power Indicator	Green LED
Power Supply	100-240V ACDC Active Switching;
	12V DC-Out
Working Power (V)	12
Working Power (w)	8
Stand-By Consumption	<1



Learn more about Zuljana at baobao-industries.com

+86 755 23775660
 +86 755 23779143
sales@baobao-industries.com
<https://www.baobao-industries.com>

