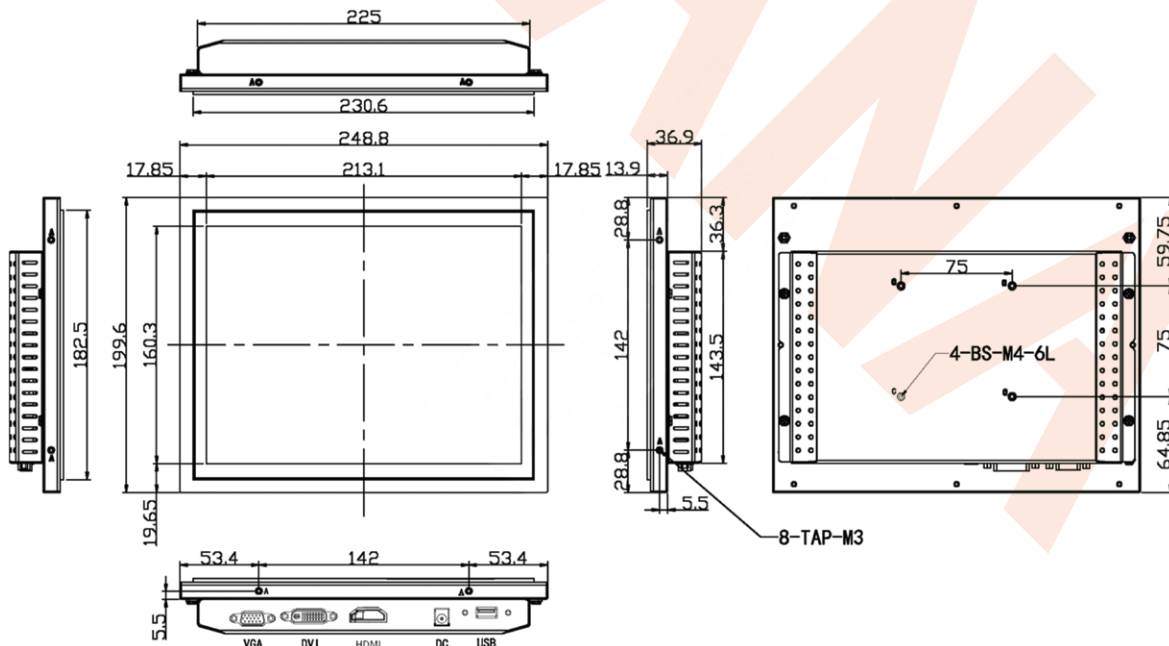


# 10.4 INCH TOUCHSCREEN MONITOR

MODEL NO:  
**ZL104TMBCAP**

## Technical Specification

<b>Product Name</b>	10.4" Capacitive Touch Monitor	<b>Touch Technology</b>	Projected Capacitive 10-point Multitouch
<b>Model Number</b>	ZL104TMBCAP	<b>Touch Panel Drivers</b>	Windows; Linux; Mac; Android
<b>IP Rating</b>	IP65 Front / IP40 Back	<b>Touch Life (Contacts)</b>	Unlimited
<b>Screen Diagonal (Inch/cm)</b>	10.4/26.42	<b>Surface Hardness</b>	7H
<b>Active Display Area(cm)</b>	21.31(H)×16.03(V)	<b>Surface Treatment</b>	Anti-Glare (Optional)
<b>Aspect Ratio</b>	4:3	<b>Glass Strengthening</b>	Tempered Glass
<b>Physical Resolution</b>	1024×768	<b>Operating Temperature (°C)</b>	-10 ~ +60
<b>Maximum showable resolution</b>	1920×1080	<b>Humidity Range (RH)</b>	10% - 90%
<b>Colours Displayed</b>	16.7M	<b>Net Weight (Kg)</b>	1.50
<b>Brightness (cd/m2)</b>	350 Nits (Optional)	<b>Gross Weight (Kg)</b>	1.90 (Incl.cartonage)
<b>Contrast</b>	3000:1	<b>Housing Material</b>	Aluminum front/back case
<b>Typical Reaction Time Tr/ Tf (ms)</b>	20/10	<b>Housing(mm)L x W x H</b>	278.8 × 199.6 × 36.9
<b>Visual Angle Horizontal / vertical (°)</b>	170/170	<b>Mounting</b>	VESA 75
<b>Backlight/Backlight Lifetime (hours)</b>	LED/20,000	<b>Power Indicator</b>	Green LED
<b>External Connectors</b>	HDMI 1.3, DVI-D, VGA, PC-Audio, USB, 12V DC-IN, BNC Connector	<b>Power Supply</b>	12V DC, 3A



CE FCC RoHS

