

10.1" Touchscreen Computer

ZL101PC-A



NOW WITH
Android



EV Charging



Kiosks



Smart Locker



Parking Terminal

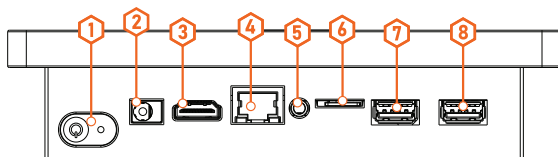


Access Control

ZL101PC-A is a 10.1-inch All-in-One computer equipped with RockChip RK3568 Android processor. With a high-resolution display, PCAP multi-touch support, IP65-rated front panel, and VESA mounting capability, ZL101PC-A offers excellent integration possibility. There are one x USB 2.0/3.0 ports, a LAN port, connector, and a HDMI connector for more flexible connections. The ZL101PC-A provides a pre-installed Android that allows customers to quickly access web information in a variety of IoT applications.



I/O Interfaces (Android)

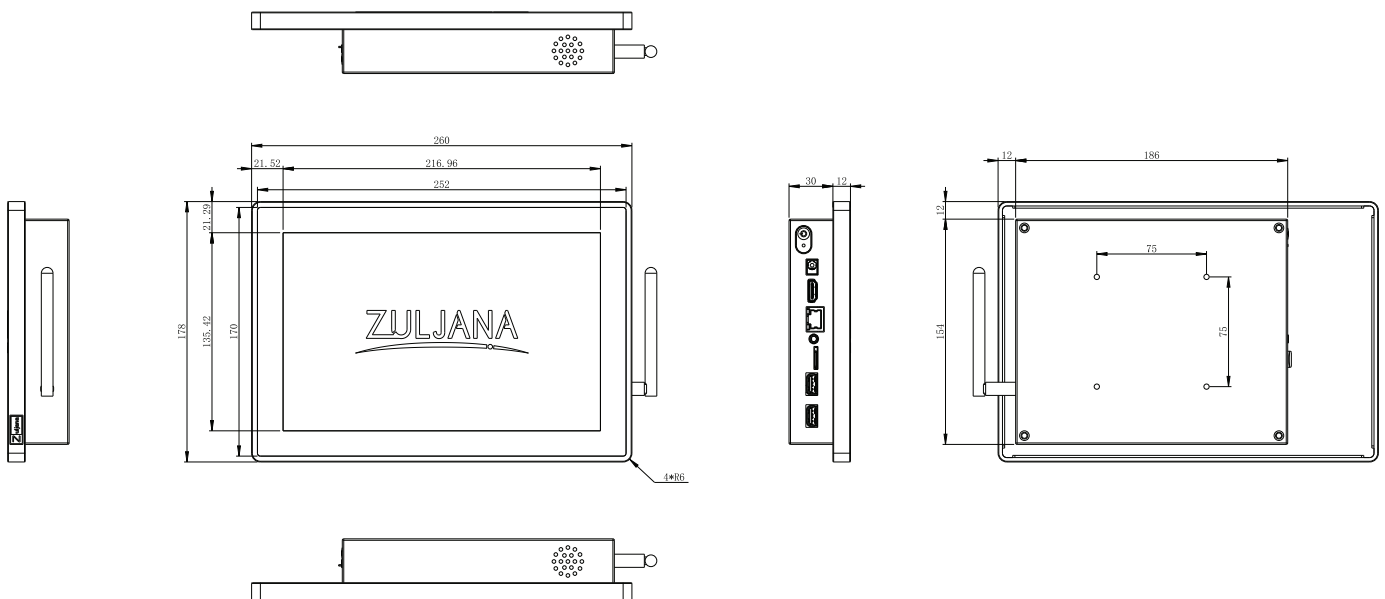


- 1 1 x POWER BUTTON
- 2 1 x DC-IN POWER PORT
- 3 1 x HDMI
- 4 1 x LAN PORT
- 5 1 x Audio PORT
- 6 1 x SD Card
- 7 1 x USB 2.0 PORT
- 8 1 x USB 3.0 PORT

Product Specifications

CPU / Processor	Rockchip RK3568	Wireless Connectivity	WiFi (802.11b/g/n)
Memory	4GB RAM		Bluetooth 4.0/4.2
Storage	64GB ROM/Storage	Audio	1 x 3W Integrated Speaker
Supported OS & GMS	Android 11	Power	36W / 12V
I/O Ports	1 x POWER BUTTON 1 x DC-IN POWER PORT 1 x HDMI 1 x LAN PORT 1 x Audio PORT 1 x SD Card 1 x USB 2.0 PORT 1 x USB 3.0 PORT	Display	10.1" Widescreen (1280 x 800)
		Touch Screen	True-Flat PCAP Multi-Touch
		Wall Mount	VESA, 75 x 75mm
		Dims (w.o base)	260mm W x 178mm H x 42mm" D

Dimensions



Global Headquarter

Floor 4, Building 2, Guancheng Sanliang Industrial Park,
No. 2, Chenxing Road, Huangjiang Town, Dongguan City,
Guangdong, P.R.C Postal Code: 523516



Sales & Marketing Office

106/C, Shamsabad Colony, Doulat Gate Road, Bosan
Town, Multan, Punjab, Pakistan Postal Code: 60000



European RMA Office

31/B Sóstói út, Nyíregyháza, Hungary Postal Code: 4400