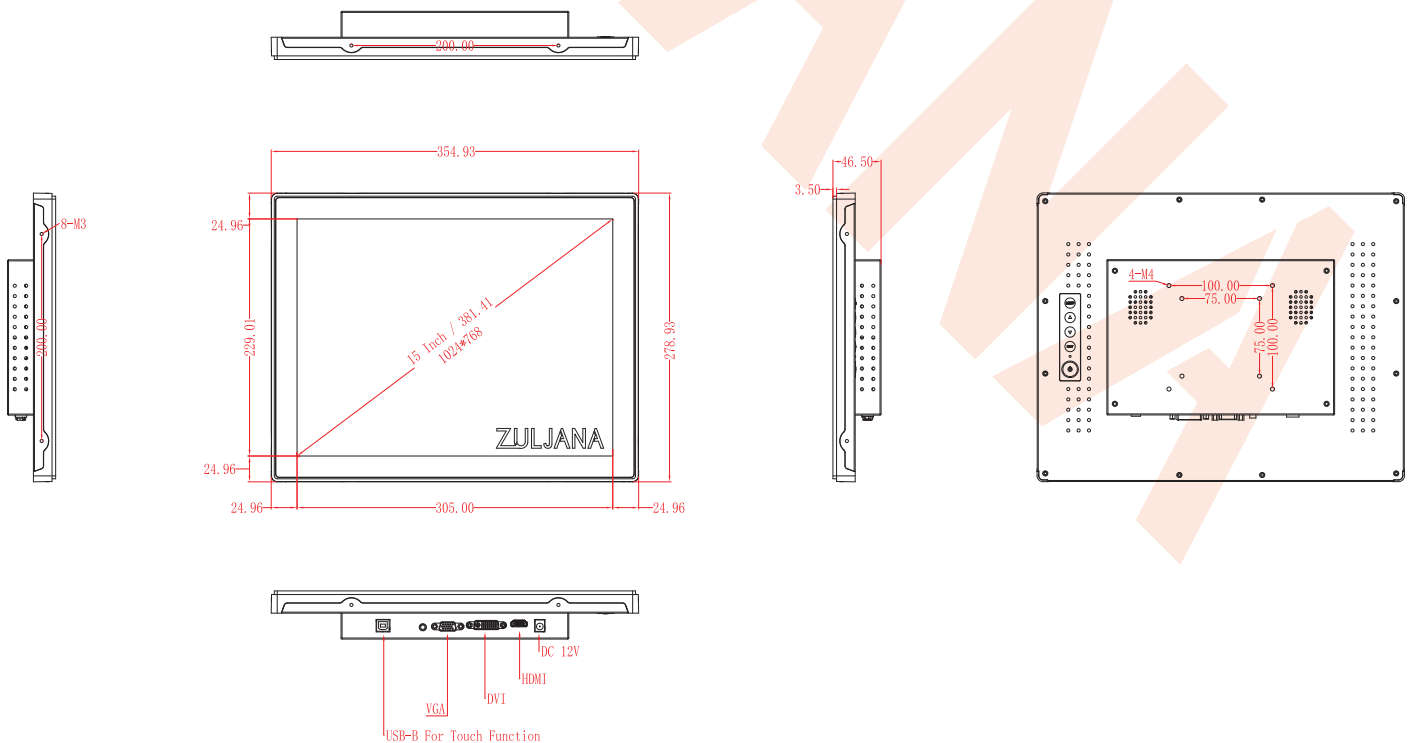
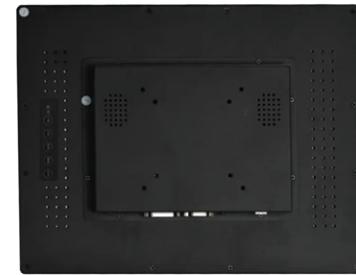


15 INCH TOUCHSCREEN MONITOR

MODEL NO:
ZL15TMBCAP

Technical Specification

Product Name	15"Capacitive Touch Monitor	Touch Technology	Projected Capacitive 10-point Multitouch
Model Number	ZL15TMBCAP	Touch Panel Drivers	Windows; Linux; Mac; Android
IP Rating	IP65 Front / IP40 Back	Touch Life (Contacts)	Unlimited
Screen Diagonal (Inch/cm)	15/38.14	Surface Hardness	7H
Active Display Area(cm)	30.50(V)×22.90(H)	Surface Treatment	Anti-Glare (Optional)
Aspect Ratio	4:3	Glass Strengthening	Tempered Glass
Physical Resolution	1024×768	Operating Temperature (°C)	-10 ~ +60
Maximum showable resolution	1920×1080	Humidity Range (RH)	10% - 90%
Colours Displayed	16.7M	Net Weight (Kg)	4.10
Brightness (cd/m2)	300 Nits (Optional)	Gross Weight (Kg)	5.10 (Incl.cartonage)
Contrast	700:1	Housing Material	Aluminum front/back case
Typical Reaction Time Tr/ Tf (ms)	8/12	Housing(mm)L x W x H	354.93 × 278.93 × 46.50
Visual Angle Horizontal / vertical (°)	160/160	Mounting	VESA 75 x 75 - 100 x 100
Backlight/Backlight Lifetime (hours)	LED/30,000	Power Indicator	Green LED
External Connectors	HDMI 1.3, DVI-D, VGA, PC-Audio, USB, 12V DC-IN	Power Supply	12V 4.0A



CE FCC RoHS

IP65/IP40

dvi digital visual interface

HDMI

VGA

+60°C
-10°C