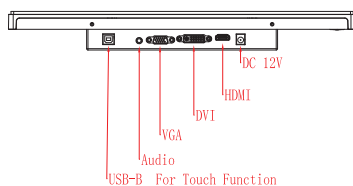
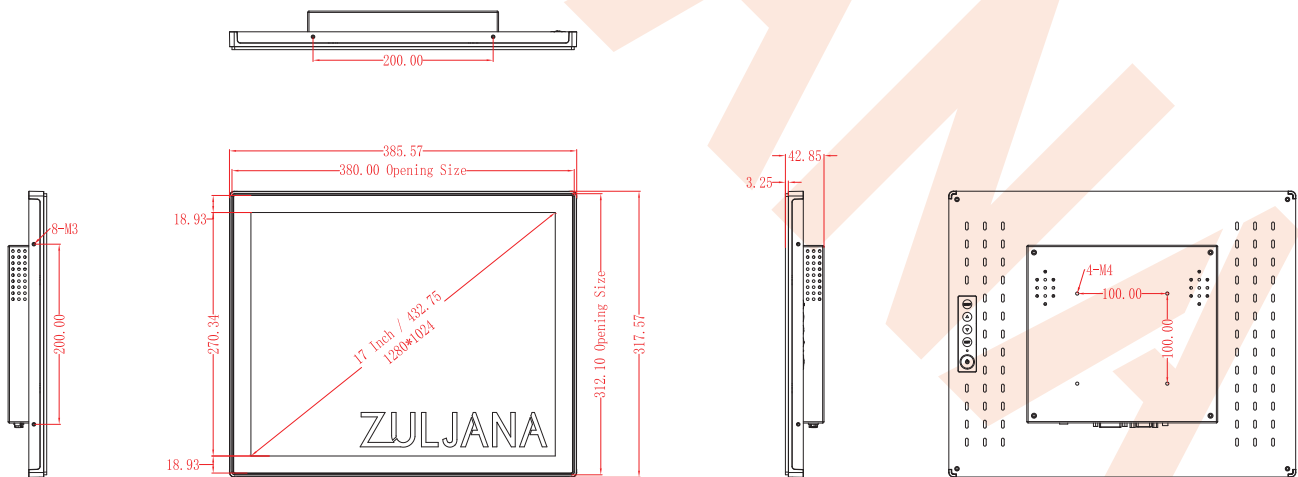
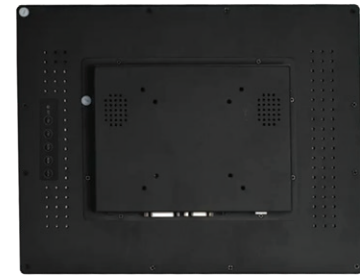


17 INCH TOUCHSCREEN MONITOR

MODEL NO:
ZL17TMBCAP

Technical Specification

Product Name	17"Capacitive Touch Monitor	Touch Technology	Projected Capacitive 10-point Multitouch
Model Number	ZL17TMBCAP	Touch Panel Drivers	Windows; Linux; Mac; Android
IP Rating	IP65 Front / IP40 Back	Touch Life (Contacts)	Unlimited
Screen Diagonal (Inch/cm)	17/43.27	Surface Hardness	7H
Active Display Area(cm)	34.21(H) × 27.03(V)	Surface Treatment	Anti-Glare (Optional)
Aspect Ratio	5:4	Glass Strengthening	Tempered Glass
Physical Resolution	1280×768	Operating Temperature (°C)	-10 ~ +60
Maximum showable resolution	1920×1080	Humidity Range (RH)	10% - 90%
Colours Displayed	16.7M	Net Weight (Kg)	5.10
Brightness (cd/m2)	250 Nits (Optional)	Gross Weight (Kg)	6.10 (Incl.cartonage)
Contrast	1000:1	Housing Material	Aluminum front/back case
Typical Reaction Time Tr/ Tf (ms)	3.8/1.2	Housing(mm)L x W x H	317.57 × 385.57 × 42.85
Visual Angle Horizontal / vertical (°)	170/160	Mounting	VESA 100
Backlight/Backlight Lifetime (hours)	LED/30,000	Power Indicator	Green LED
External Connectors	HDMI 1.3, DVI-D, VGA, PC-Audio, USB, 12V DC-IN	Power Supply	12V DC-Out



CE **FC** **RoHS**

IP65/IP40

dvi
digital visual interface

HDMI

VGA

+60°C
-10°C