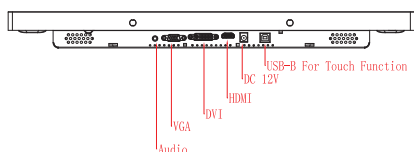
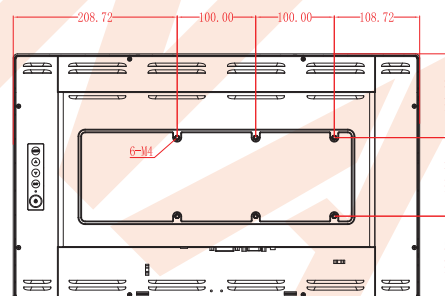
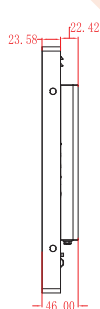
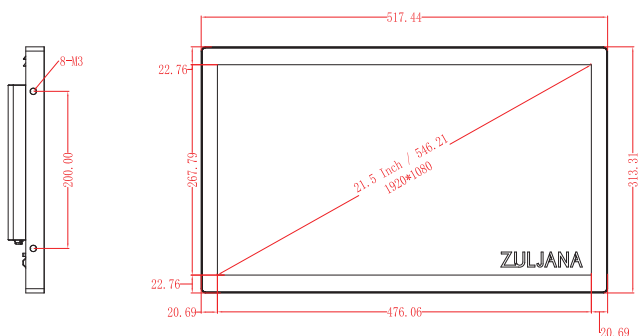
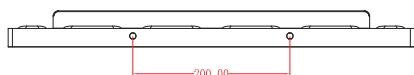


21.5 INCH TOUCHSCREEN MONITOR

MODEL NO:
ZL215TMBCAP

Technical Specification

Product Name	21.5" Capacitive Touch Monitor	Touch Technology	Projected Capacitive 10-point Multitouch
Model Number	ZL215TMBCAP	Touch Panel Drivers	Windows; Linux; Mac; Android
IP Rating	IP65 Front / IP40 Back	Touch Life (Contacts)	Unlimited
Screen Diagonal (Inch/cm)	21.5/54.69	Surface Hardness	7H
Active Display Area(cm)	47.60(H)×26.77(V)	Surface Treatment	Anti-Glare (Optional)
Aspect Ratio	16:9	Glass Strengthening	Tempered Glass
Physical Resolution	1920×1080	Operating Temperature (°C)	-10 ~ +60
Maximum showable resolution	1920×1080	Humidity Range (RH)	10% - 90%
Colours Displayed	16.7M	Net Weight (Kg)	5.00
Brightness (cd/m2)	350 Nits (Optional)	Gross Weight (Kg)	6.00 (Incl.cartonage)
Contrast	1000:1	Housing Material	Aluminum front/back case
Typical Reaction Time Tr/ Tf (ms)	2/6	Housing(mm)L x W x H	517.44 × 313.31 × 46
Visual Angle Horizontal / vertical (°)	178/178	Mounting	VESA 100
Backlight/Backlight Lifetime (hours)	LED/40,000	Power Indicator	Green LED
External Connectors	HDMI 1.3, DVI-D, VGA, PC-Audio, USB, 12V DC-IN	Power Supply	12V DC-Out



CE FCC RoHS

IP65/IP40

dvi digital visual interface

HDMI

VGA

+60°C
-10°C